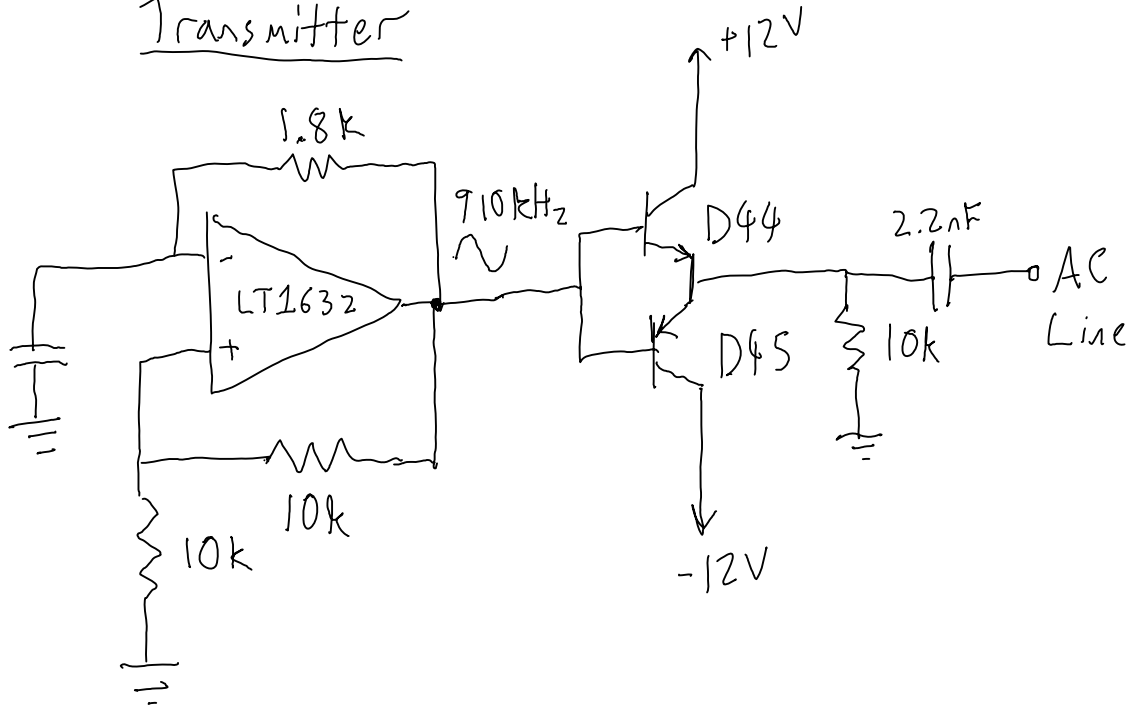


Transmitter



Receiver Filter

